

ProNews

Profacture Corporation (408) 782-2120

Inside Articles:

- Tegal 9XX Spares Catalog Now Available
- Profacture Now Online

Capabilities:

Semiconductor
Equipment Spares

Reverse Engineering
& CAD Services

Electromechanical
Turn-Key
Manufacturing

Precision CNC
Machining

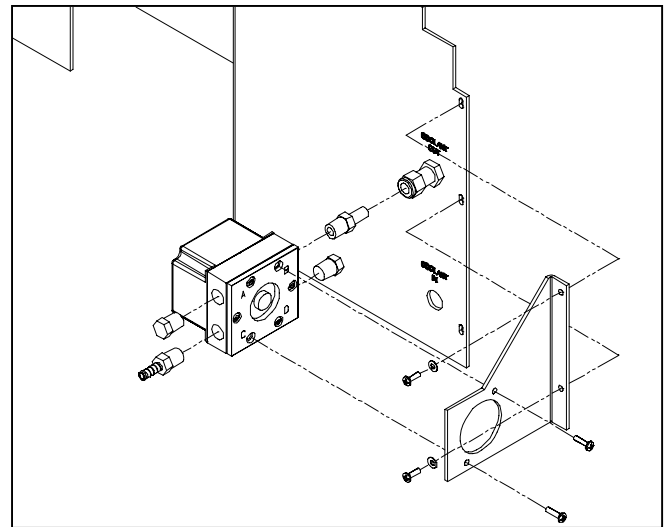
Tegal® 90X Flow Switch Conversion Kit

Tegal® 90X Series Etchers have been delivered with magnetic reed type flow switches since their introduction. These switches have a tendency to accumulate particles and get stuck in the open or closed position. The risk of this is having the system alarm/fault unnecessarily or worse, in the event coolant is not flowing the system does not alarm or fault.

The engineers at Profacture have developed a field conversion kit that incorporates a paddle type flow switch. Fluid flowing through the switch spins a magnetic rotor to induce voltage in a coil. This voltage is measured by a simple electronic circuit, which compares it to a user-set trip voltage. When the voltage is above the set point, a relay is held in its active position. If the voltage falls below the set point, or should the fluid stop flowing, the relay is switched off and triggers the system to alarm and or fault.



An active design combats the problem of particle buildup,



Complete kit includes all necessary components, brackets, hardware and detailed installation instructions.

which can jam the OEM flow switches. Because the rotor is constantly spinning, it cleans itself of most buildup. In the very unlikely event that an object in the flow line did interfere with the rotor, the rotor will stop turning, and the switch will activate causing the system to alarm or fault.

A clear polysulfone faceplate displays the rotor to tell you at a glance if coolant is flowing. The speed of the rotor shows you the approximate rate of flow.

The trip point is set by adjusting an accessible POT through a hole on the rear of

the electronics housing. The potentiometer can be adjusted without opening the electronics unit, and is in a recessed position so that it cannot be turned accidentally.

The faceplate may easily be removed to clean the flow chamber and rotor if necessary. No other maintenance is normally needed.

Complete kits are available for Tegal® models; 901, 901e, 903, 903e, 901/903TTW



15690 La Mesa Ct.
Morgan Hill, CA 95037

PHONE:
(408) 782-2120

FAX:
(408) 778-7466

E-MAIL:
info@profacture.com

Tegal 9XX Spares Catalog ♦ NOW AVAILABLE ♦



With over 1200 parts listed you are sure to find the part you need. Profacture supports the entire system not just one or two shower heads. From lower electrodes to o-rings Profacture has it all for your Tegal 9XX system.

Obtain your copy one of the following ways⇒

Call 408-782-2120

or

Email: info@profacture.com

or

Download @

www.profacture.com

PROFACTURE Online @ WWW.PROFACTURE.COM

The web site is now live and packed with information that is constantly being updated.

View and download the latest spares catalog, equipment listings, news and updates on new product announcements and much more.



About Our Organization...

PROFACTURE is a leading designer, re-manufacturer and supplier of components, and integrated electromechanical assemblies for the semiconductor capital equipment market and other high technology industries. Combining the resources of precision machining, PCB assembly, cable/harness assembly and strategic sourcing to offer the end user and OEM unprecedented capabilities.

We're on the Web!

See us at:

www.profacture.com



15690 La Mesa Court
Morgan Hill, CA 95037

408-782-2120
408-778-7466 Fax

YOUR SOURCE FOR COMPLETE TEGAL 9XX SUPPORT