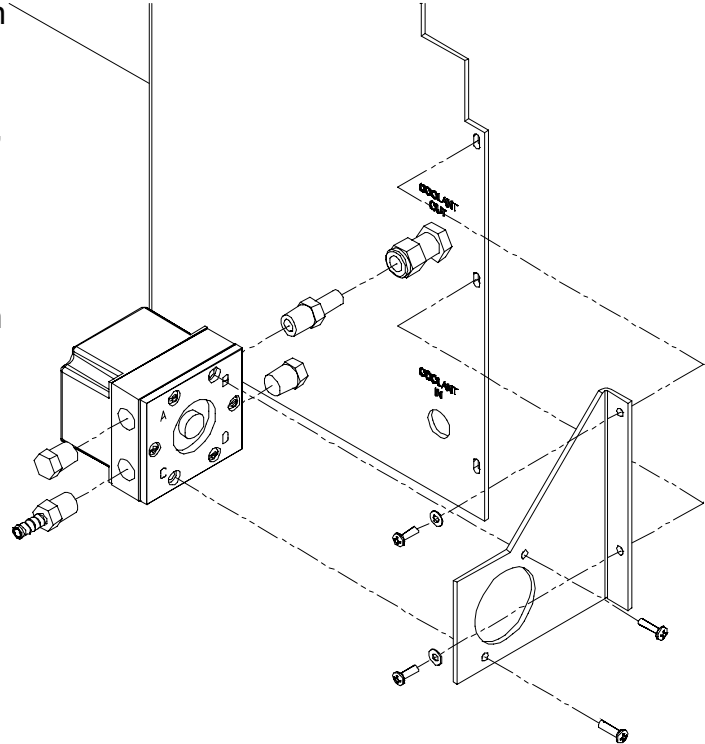
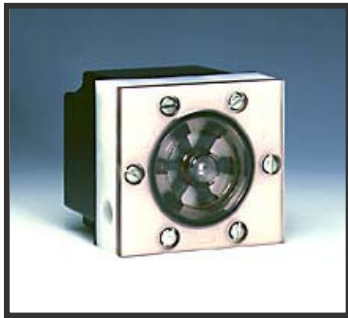


NEW PRODUCT ANNOUNCEMENT

- Product Description:
 - ❖ Tegal® 90X Flow Switch Conversion Kit
- Part Number(s):
 - ❖ PRO-10-1001 for Tegal® 901, 901e, 901g or 901TTW
 - ❖ PRO-10-1002 for Tegal® 903, 903e or 903TTW
- Purpose(s):
 - ❖ Eliminate particle buildup which can jam OEM switches
 - ❖ Visual confirmation of flow



Tegal® 90X Series Etchers have been delivered with magnetic reed type flow switches since their introduction. These switches have a tendency to accumulate particles and get stuck in the open or closed position. The risk of this is having the system alarm/fault unnecessarily or worse, in the event coolant is not flowing the system does not alarm or fault.

The engineers at Profacture have developed a field conversion kit that incorporates a paddle type flow switch. Fluid flowing through the switch spins a magnetic rotor to induce voltage in a coil. This voltage is measured by a simple electronic circuit, which compares it to a user-set trip voltage. When the voltage is above the set point, a relay is held in its active position. If the voltage falls below the set point, or should the fluid stop flowing, the relay is switched off and triggers the system to alarm and or fault.

An active design combats the problem of particle buildup, which can jam the OEM flow switches. Because the rotor is constantly spinning, it cleans itself of most buildup. In the very unlikely event that an object in the flow line did interfere with the rotor, the rotor will stop turning, and the switch will activate causing the system to alarm or fault.

A clear polysulfone faceplate displays the rotor to tell you at a glance if coolant is flowing. The speed of the rotor shows you the approximate rate of flow.

The trip point is set by adjusting an accessible POT through a hole on the rear of the electronics housing. The potentiometer can be adjusted without opening the electronics unit, and is in a recessed position so that it cannot be turned accidentally.

The faceplate may easily be removed to clean the flow chamber and rotor if necessary. No other maintenance is normally needed.

Complete kits are available for Tegal® models; 901, 901e, 903, 903e, 901/903TTW

For More Information Contact

PROFACTURE
Corporation

15690 La Mesa Court
Morgan Hill, CA 95037
United States
408-782-2120
408-778-7466 Fax
www.profacture.com
info@profacture.com