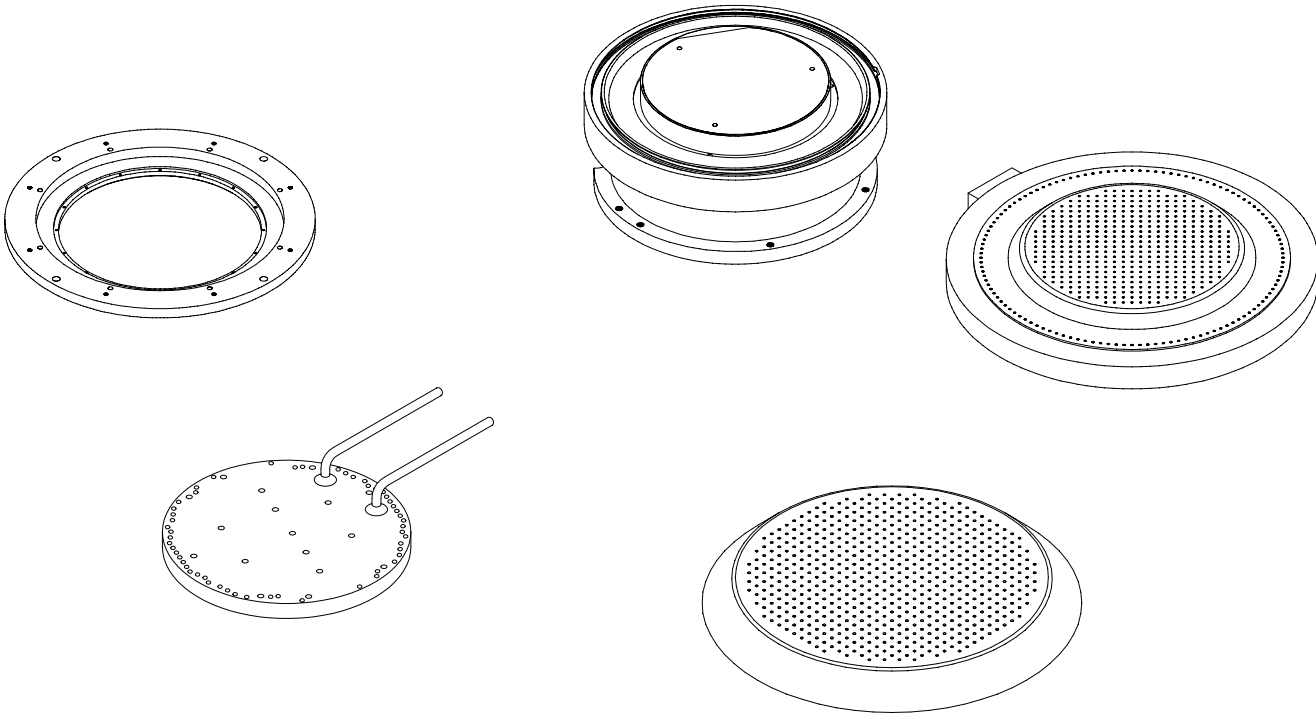


# **PROFACTURE** Corporation®

## Tegal 9XX Spares Catalog



W W W . P R O F A C T U R E . C O M  
503-644-3222 ♦ 503-644-3386 Fax

PRO-29-464-001	KIT FLD UPGR-CHMBR GROUND
PRO-30-231-001	RING LOWER ELECTRODE SEAL
PRO-30-232-002	TINE ASSY, 5"
PRO-30-251-001	RF CONNECTOR ASSEMBLY
PRO-31-086-004	PHASE, MAG, DET
PRO-31-165-004	STEPPER MOTOR (CARRIAGE)
PRO-31-165-005	STEPPER MOTOR ELEV
PRO-31-165-006	STEPPER MOTOR CARRIER
PRO-31-173-001	SOLENOID VALVE, SDR/RCVR
PRO-31-193-004	SOLENOID VALVE ASSEMBLY
PRO-31-212-009	MTCH NTRWK PERSONALITY
PRO-31-217-001	STEPPER MOTOR MATCH
PRO-31-217-002	STEPPER MOTOR MATCH
PRO-31-230-001	ELECTRODE RELAY W/TERMS
PRO-31-233-006	SPATULA DRIVE S/A
PRO-31-236-001	ASSY. VARIABLE CAPACITOR
PRO-31-259-001	MATCHING NETWORK PERSONALITY COIL ASSEMBLY
PRO-31-263-001	ELECTRODE RELAY W/TERMS
PRO-31-281-025	SWITCH OUSH ON/OFF
PRO-31-303-001	COVER, MATCHING NETWORK
PRO-31-319-001	CHUCK SENSOR SUB ASSY
PRO-31-328-001	SWITCH VAC VALVE INTLK
PRO-31-332-001	DC POWER SUPPLY SUB-ASSY
PRO-31-375-001	PRESSURE SENSOR ATM
PRO-31-388-001	RF CONNECTOR ASSY
PRO-31-530-005	CONNECTOR RF 915 ASHER
PRO-33-028-001	ADAPTER, TUBING, 1/4" X 1/2", ELBOW, SST
PRO-33-085-002	BELLOWS LOWER ELECTRODE
PRO-33-166-005	ELECTRODE, CONDUCTOR
PRO-33-167-004	ELECTRODE CONDUCTOR
PRO-33-167-005	ELECTRODE, CONDUCTOR
PRO-33-267-005	MNFLD PRESS/VAC 9XX
PRO-33-268-005	MNFLD GAS 9XX
PRO-33-350-001	TUBE GAS INLET
PRO-33-367-001	RF MESH
PRO-37-221-001	ELECTRODE UPPER 903E ANODIZED
PRO-37-221-002	ELECTRODE UPPER 903E
PRO-37-221-003	ELECTRODE UPR HIGH PERF.
PRO-37-222-001	COOLING PLATE
PRO-37-222-002	COOLING PLATE W/SCREWS
PRO-37-521-001	BLOCK, SENSOR-115MM X 125MM
PRO-37-568-001	CLAMP INSULATOR RING
PRO-38-023-001	TUBE COOLING CHAMBER
PRO-39-151-002	CUP PLATE 4"
PRO-39-151-005	CUP PLATE 4"
PRO-39-256-001	PLUG BARRATRON CALIBRATION
PRO-39-292-003	ELECTRODE UPPER REMOVEABLE W/CUTOUT
PRO-39-341-004	BODY, CHAMBER
PRO-39-341-005	BODY, CHAMBER

PRO-39-342-001	CHAMBER TOP
PRO-39-343-001	MANIFOLD CHAMBER
PRO-39-344-002	ELECTRODE, UPPER 901E
PRO-39-350-002	BLOCK, TRANSPORT BEARING
PRO-39-352-002	BAR TOP PLATE SUPPORT
PRO-39-360-002	BAR, CHASSIS, BRACE, CENTER
PRO-39-363-001	BAR, CHASSIS, TOP PLT HINGE
PRO-39-373-002	BASE, SHUTTLE
PRO-39-376-001	BLOCK MANIFOLD
PRO-39-376-002	BLOCK MANIFOLD QUICK-CONNECT
PRO-39-377-001	BLOCK, PILLOW, SHUTTLE
PRO-39-378-001	FOOT SDR/RCVR
PRO-39-379-001	BAR, TOP PLATE HINGE
PRO-39-380-001	BLOCK, LOCATING, SHUTTLE
PRO-39-402-001	BAR, HINGE, SHROUD
PRO-39-409-001	COIL, SLUG, INDUCTOR
PRO-39-420-002	SUPPORT LEG, SHUTTLE
PRO-39-428-001	BAR REACTOR SUPPORT FRONT
PRO-39-429-001	BAR REACTOR RF TIE
PRO-39-431-002	REACTOR RF FEEDTHROUGH
PRO-39-434-001	RETAINER REACTOR DOOR WINDOW
PRO-39-436-001	BAR REACTOR SUPPORT CENTER
PRO-39-437-001	TAB DISPLAY MOUNTING
PRO-39-443-001	BLOCK LATCH LINKAGE
PRO-39-450-001	BLOCK, TOP CVR SWITCH
PRO-39-455-001	MOUNT SLIDE
PRO-39-522-001	PIN, LATCH, SAFETY
PRO-39-524-001	MNTG CLAMP, LOWER, VACUUM VALVE
PRO-39-525-001	MNTG CLAMP, UPPER, VACUUM VALVE
PRO-39-533-001	CLAMP, VACUUM TUBE
PRO-39-561-001	MOTOR WEIGHT
PRO-39-563-001	STRAP DISPLAY MOUNTING
PRO-39-627-002	RING ALUMINUM INSERT 6" FRONTSIDE
PRO-39-627-004	RING ALUMINUM INSERT 5"
PRO-39-627-005	RING AL. 4" BACKSIDE
PRO-39-627-006	RING ALUMINUM INSERT 4"
PRO-39-627-ZB2	RING ALUMINUM INSERT 6"
PRO-39-633-001	BLOCK SUPPORT LOADER
PRO-39-637-001	BLOCK PULLEY LOADER
PRO-39-639-001	WASHER, MOTOR MOUNT
PRO-39-654-001	CLAMP, BELT, SPATULA
PRO-39-674-001	BLOCK, THERMO-SWITCH GUARD
PRO-39-680-003	ELECTRODE CONE HEAD VENTED 903E
PRO-39-689-001	SCREW LIFTING CHUCK
PRO-39-694-001	PULLEY, END, CARRIAGE
PRO-39-699-001	STRAP, CLAMP
PRO-39-700-289	SONALERT AUD SIG 64-80DB PNL
PRO-39-707-001	BAR, TINE
PRO-39-710-001	COLLAR FLAG
PRO-39-711-001	KNOB, CHUCK

PRO-39-717-001	SCREW THUMB
PRO-39-729-001	KNOB FITTING
PRO-39-731-001	PIN PLATE
PRO-39-732-001	COLLAR PIN
PRO-39-733-002	ELECTRODE LOWER 4" 901E
PRO-39-733-003	ELECTRODE LOWER 5" 901E
PRO-39-733-004	ELECTRODE LOWER 6" 901E
PRO-39-735-001	ELECTRODE LOWER 3" 903E
PRO-39-735-003	ELECTRODE LOWER 5" 903E
PRO-39-735-004	ELECTRODE LOWER 6" 903E
PRO-39-738-001	SHIELD, GROUND, LOWER ELECTRODE
PRO-39-741-002	ELECTRODE LOWER 4" 903E
PRO-39-741-003	ELECTRODE LOWER 5" 903E
PRO-39-741-009	ELECTRODE LOWER 6" 903E
PRO-39-741-010	ELECTRODE LOWER 5" 903E
PRO-39-741-011	ELECTRODE LOWER 4" 903E
PRO-39-741-012	ELECTRODE LOWER 6" 903E
PRO-39-741-026 <b>NEW</b>	ELECTRODE LOWER 6" 903E
PRO-39-749-001	KNOB FITTING
PRO-39-750-001	BLOCK, PIN ALIGN, TOP PLATE
PRO-39-751-001	PIN, TOP PLATE, ALIGN
PRO-39-756-001	ELBOW BULKHEAD
PRO-39-758-001	BLOCK, SENSOR ADJUST
PRO-39-761-001	GASKET RF CONTACT
PRO-39-767-002	COUPLING INSULATOR
PRO-39-776-001	MANIFOLD, BLOCK, 12 POS
PRO-39-815-003	CLAMP FILTER (PALL)
PRO-39-817-001	BLOCK, FIBER OPTIC
PRO-39-818-001	SLEEVE FIBER OPTIC
PRO-39-819-001	BLOCK FIBER OPTIC
PRO-39-846-001	PLATFORM CAT-WHISKER
PRO-39-847-001	HOOK, 3"
PRO-39-847-002	HOOK, 4"
PRO-39-847-003	HOOK, 5"
PRO-39-847-004	HOOK, 6"
PRO-39-848-003	BLOCK STAGE, 5" CAT WHISKER
PRO-39-848-004	BLOCK STAGE, 6" CAT WHISKER
PRO-39-848-005	BLOCK STAGE, 4" CAT WHISKER
PRO-39-852-001	STOP, 5" SPAT
PRO-39-852-002	STOP, 6" SPAT
PRO-39-852-004	STOP, 4" SPAT
PRO-39-853-001	SPATULA, 5"
PRO-39-853-002	SPATULA, 6"
PRO-39-853-004	SPATULA, 4"
PRO-39-854-001	SENSOR ARM MNTG BLK
PRO-39-854-001L	SENSOR ARM LOWER
PRO-39-854-001U	SENSOR ARM UPPER
PRO-39-855-001	BLOCK, BEARING, ELEV
PRO-39-856-001	BLOCK, PLATFORM
PRO-39-857-001	BLOCK SHAFT DRIVE

PRO-39-858-001	BLOCK, SHAFT, FRONT
PRO-39-860-001	CARRIAGE SPATULA
PRO-39-868-001	BLOCK SENSOR ADJUST
PRO-39-869-001	MOTOR FRAME EXTENSION
PRO-39-870-001	FLANGE, DOG, BLOCK ADJUST
PRO-39-872-001	BASE PLATE, CAP SNSR
PRO-39-900-001	POST CAPACITIVE SENSOR
PRO-39-926-001	ELECTRODE TOP COOLED
PRO-39-927-007	ELECTRODE LWR 5" FLAT ALIGNED ANODIZED
PRO-39-927-008	ELECTRODE LWR 150MM FLAT ALIGNED ANODIZED
PRO-39-928-001	FITTING HOSE UPPER
PRO-39-929-001	CAP GAS UPPER COOLED ELECTRODE
PRO-39-954-001	TINE SUPPORT 4"
PRO-39-954-002	TINE SUPPORT 5"
PRO-39-954-003	TINE SUPPORT 6"
PRO-39-954-004	TINE SUPPORT 3"
PRO-40-011-001	O-RING 1/2" ID
PRO-40-014-001	WINDOW PHOTOCCELL
PRO-40-046-001	QUARTZ WINDOW 915 VIEW PORT
PRO-40-046-002	QUARTZ WINDOW, 965 VIEW PORT
PRO-40-140-001	RING INSUL CER
PRO-40-140-003	RING INSUL CER 99.5
PRO-40-159-001	ROD SAPPHIRE
PRO-40-176-001	PAD, SHROUD REST
PRO-40-178-001	WINDOW LOWER DISPLAY
PRO-40-189-001	SHIELD VIEWING WINDOW
PRO-40-189-002	SHLD, VWNG WNDW, LG
PRO-40-238-001	BLOCK PIN CHUCK
PRO-40-256-001	FOOT ELEV LOADER
PRO-40-273-001	DIVIDER, INSULATOR
PRO-40-274-001	GUARD, THERMO-SWITCH
PRO-40-284-004	RING QUARTZ FRONTSIDE 5"
PRO-40-284-005	RING QUARTZ INSR FR SIDE 6"
PRO-40-284-ZB4	RING QUARTZ ZERO BACKSIDE 5"
PRO-40-287-001	CLAMP, BELT DRIVE
PRO-40-290-001	STOP CYLINDER
PRO-40-296-001	INSULATOR RF
PRO-40-297-001	PIN QUARTZ 901E
PRO-40-297-001C	PIN CERAMIC 901E
PRO-40-297-002	PIN QUARTZ 903E
PRO-40-297-002C	PIN CERAMIC 903E
PRO-40-304-001	INSULATOR LOWER ELECTRODE
PRO-40-305-001	RING CERAMIC LWR 3"
PRO-40-306-002	RING CERAMIC LWR 6"
PRO-40-349-001	BLOCK, PHOTO CELL
PRO-40-366-001	STOP CASS CAT WHISKER
PRO-40-374-002	STOP SOLID 4"
PRO-40-374-003	STOP SOLID 5"
PRO-40-374-004	STOP SOLID 6"
PRO-40-375-001	PAD ISOLATION 9XX

PRO-40-395-001	RING 6" CASTELLATED W/ FLAT CUTAWAY
PRO-40-395-002	RING 5" CASTELLATED W/ FLAT CUTAWAY
PRO-40-395-003	RING 4" CASTELLATED
PRO-40-516-005	RING MACOR 4
PRO-41-035-001	SUPPORT BASE SHUTTLE
PRO-41-037-001	FLAG, SHUTTLE
PRO-41-047-002	FLAG, SHUTTLE, CENTER
PRO-41-050-001	NUT PLATE, HINGE, SENDER/RECIEVER COVER
PRO-41-072-001	LATCH, SAFETY
PRO-41-081-002	SHIELD, RF, SHUTTLE
PRO-41-103-001	PANEL, PERS, MTCH NTWK
PRO-41-104-005	HOUSING, MATCHING NETWORK 13.56 MHZ
PRO-41-112-001	LEG LOADER RR
PRO-41-118-003	FLAG, CARRIAGE SPAT
PRO-41-127-001	FLAG CHUCK 901
PRO-41-136-003	FLAG, SNSR, XTND SHFT
PRO-41-136-004	FLAG, SENSOR
PRO-41-137-001	FLAG CHUCK 903
PRO-41-172-001	FLAG ADJUST STAGE
PRO-41-175-001	FRAME, ELEVATOR
PRO-41-176-001	FLAG, ELEVATOR
PRO-41-177-001	FLAG, CASSETTE
PRO-41-189-001	BRKT SNSR ADJ RR
PRO-41-190-001	BRKT, SNSR ADJ, FNT
PRO-41-214-001	TINE, 4"
PRO-41-214-002	TINE, 5"
PRO-41-214-003	TINE, 6"
PRO-41-214-004	TINE, 3"
PRO-41-399-001	GASKET RF
PRO-42-185-003	BRKT PRESSURE SENSOR
PRO-42-271-005	BRKT, VAC VLV SPRT
PRO-42-275-005	PANEL DISPLAY
PRO-42-281-001	BRACKET, MOTOR, SHUTTLE
PRO-42-282-002	BRACKET, SHAFT, SHUTTLE/HANDLE
PRO-42-282-003	BRACKET, SHAFT, SHUTTLE
PRO-42-285-002	BRACKET, SENSOR, SHUTTLE, HORIZONTAL
PRO-42-288-001	BRACKET SUPPORT QUICK-CONNECT
PRO-42-293-001	BRACKET CONN DC PWR SUPPLY
PRO-42-307-001	BRACKET COVER DISPLAY PANEL
PRO-42-324-001	BRACKET SHROUD
PRO-42-328-002	BRACKET FIXED CAP
PRO-42-331-002	BRACKET MOUNT FIXED CAP
PRO-42-333-001	BRKT, TOP PLATE, LIFT CYL
PRO-42-335-001	BRACKET, TOP PLT, LATCH
PRO-42-335-002	BRKT, TOP PLT LATCH, RH
PRO-42-346-002	BRACKET, MTCH NTWK, CHOKE
PRO-42-360-001	BRACKET, SIDE COVER, LOWER
PRO-42-370-001	BRKT, TOP PLATE, LATCH LEVER
PRO-42-398-001	BRACKET, CONNECTOR, ZEE
PRO-42-401-001	BRKT SLIDE REAR L

PRO-42-401-002	BRKT SLIDE REAR R
PRO-42-402-001	BRKT SLIDE FRONT L
PRO-42-402-002	BRKT SLIDE FRONT R
PRO-42-406-001	BRACKET, GAS SPRING
PRO-42-418-001	BRACKET INTERLOCK SWITCH
PRO-42-431-001	BRACKET, AC INTLK SW
PRO-42-446-001	BRACKET, MATCHING NETWORK COVER, SHIELD
PRO-42-449-001	BRKT SHUTTLE CENTER
PRO-42-456-003	BRACKET, COUNTER, QUICK-CONNECTOR
PRO-42-463-001	BRACKET MOUNTING MATCHING NTWK FRONT
PRO-42-463-003	BRACKET MOUNTING MATCHING NTWK REAR
PRO-42-475-001	BRACKET CONNECTOR MOUNT
PRO-42-493-001	BRKT, PHASE/MAG, MOUNT, MATCHING NETWORK
PRO-42-494-001	BRKT GUARD HTR BLOCK
PRO-42-501-001	BRKT, CABLE SUPPORT
PRO-42-509-002	BRACKET SENSOR
PRO-42-509-003	BRACKET, SENSOR, ADJUST
PRO-42-513-002	BRKT, MTCH NTWK, MTR
PRO-42-532-001	BRACKET, SENSOR
PRO-42-535-001	BRKT, CONN, MTCH NTWK
PRO-42-553-001	BRACKET SENSOR
PRO-42-556-001	BRACKET, ADJUST, SENSOR
PRO-42-583-002	CLAMP PRESSURE SENSOR
PRO-42-631-002	BRACKET POWER CAP
PRO-42-663-002	BRKT MOTOR LOADER
PRO-44-068-001	HOUSING, RF ELECTRODE
PRO-44-200-001	COVER DC PWR SUPPLY
PRO-44-208-005	COVER DISPLAY PANEL
PRO-44-234-001	CVR, SNDR/RCVR, FRNT
PRO-44-290-001	GUIDE PIN TOP COVER
PRO-44-332-001	COVER, TOP, SHIELD, SHUTTLE
PRO-44-339-002	COVER, HOUSING, RF MATCH NETWORK
PRO-44-340-001	COVER MATCHING NETWORK PCB MOUNT
PRO-44-366-001	COVER RFG INTFC SHLD
PRO-44-367-001	COVER AC MODULE SHIELD
PRO-44-375-001	COVER PCB SHUTTLE INTFC.
PRO-44-396-001	COVER MICRO-P SHIELD
PRO-44-400-001	COVER GAS CONTROL SHIELD
PRO-44-432-002	COVER END POINT 249
PRO-45-006-001	LABEL, TOP COVER INTERLOCKED
PRO-45-022-001	LABEL, NOTICE, LIFTING BY VAC TUBE
PRO-45-024-001	LABEL, WARNING, RF RADIATION HAZARD
PRO-45-049-001	LABEL, DANGER, HAZARDOUS AREA
PRO-45-050-002	LABEL, DANGER, UP TO VAC
PRO-45-051-001	LABEL, CAUTION, LINE VOLTAGE
PRO-45-126-001	LABEL, RF INTERLOCK
PRO-45-127-001	LABEL, RF HAZARD
PRO-45-130-001	LABEL, CAUTION, LOCK SAFETY BAR
PRO-45-131-001	LABEL, CAUTION, VOLT NOT EXCEED
PRO-46-113-003	PLATE, CVR, CONN, RF HSNG

PRO-46-285-001	PLATE DC PWR SUPPLY BASE
PRO-46-323-001	PLATE DISPLAY MOUNTING
PRO-46-437-001	PLATE, COVER, MATCHING NETWORK
PRO-46-438-001	PLATE MTG PC BOARD LOADER
PRO-46-466-001	PLATE MICRO-P MOUNT
PRO-46-469-002	PLATE, TINES, W/RIPPLE
PRO-46-473-001	PLATE, MOUNTING, MATCHING NETWORK
PRO-46-475-001	PLATE, SHIELD, PERSONALITY PCB
PRO-46-502-001	PLATE, CARRIAGE, SHPG & TEST
PRO-46-527-001	PLATE, VALVE ASSY
PRO-46-569-004	PLATE CENTER STAGE
PRO-46-571-001	PLATE, STAGE, ADJUST
PRO-46-577-001	PLATE, SOLID STOP
PRO-46-578-001	PLATE FRAME LOADER
PRO-47-120-003	PANEL, REAR, SENDER MODULE
PRO-47-121-001	PANEL GAS DELIVERY REAR
PRO-47-126-003	DOOR REACTOR
PRO-47-158-001	PANEL, TOP, PHASE/MAG
PRO-47-159-001	PANEL, FRONT/BACK, PHASE/MAG
PRO-47-160-001	PANEL, SIDE, PHASE/MAG
PRO-47-161-001	PANEL, BOTTOM, PHASE/MAG
PRO-47-172-001	PANEL, CHASSIS, REAR UNIBODY
PRO-49-007-001	PIN, HINGE
PRO-49-025-001	PIN, HINGE
PRO-49-027-002	PIN, LATCH, ROLLER
PRO-49-046-002	PIN, PLATFORM, 182, CAT WHISKER
PRO-49-047-001	PIN ADJUST SPATULA
PRO-49-177-001	WINDOW DISPLAY
PRO-50-014-001	NUT ELEV
PRO-50-022-001	WASHER SHOULDER TOP COVER LATCH
PRO-50-056-001	SCREW, LEAD, ELEV
PRO-51-038-002	STANDOFF LOWER ELECTRODE
PRO-51-092-001	SPACER MOTOR MOUNT
PRO-51-093-001	SPACER, PHASE/MAG PCB SUPPORT
PRO-51-093-002	SPACER, MATCH NTWK, PERSONALITY PC BOARD
PRO-51-112-001	SPACER REACTOR FEEDTHROUGH
PRO-51-167-001	SPACER TINE
PRO-52-047-002	ROLLER, LATCH, TOP PLATE, RH
PRO-52-050-002	RETAINER, REACTOR, RF FEEDTHRU
PRO-52-054-001	LATCH WORK SURFACE COVER
PRO-52-057-001	LEVER, TOP PLATE LATCH R.H.
PRO-52-057-002	LEVER, TOP PLATE LATCH L.H.
PRO-52-058-002	LATCH TOP PLATE RH
PRO-52-059-001	LATCH, TOP COVER, LH
PRO-52-060-001	LATCH, TOP COVER, RH
PRO-53-025-001	SHAFT LATCH LINKAGE BLOCK
PRO-53-055-001	SHAFT, SPAT
PRO-54-001-001	SPRING, FLAG
PRO-55-004-001	BELT DRIVE CARRIAGE
PRO-55-005-001	BELT DRIVE LOADER

PRO-55-006-001	BELT LOADER (NON-SUPER SPAT)
PRO-55-008-001	BELT LOADER (SUPER SPAT)
PRO-56-009-001	NUT, CAM
PRO-56-039-001	BEARING, CAP, MT
PRO-56-042-001	NUT ELEVATOR
PRO-56-048-001	NUT HEX 5/8-24 THD
PRO-57-003-002	PULLEY
PRO-57-026-001	PULLEY DRIVE LOADER
PRO-57-027-001	PULLEY STAGE LOADER
PRO-57-028-001	PULLEY CASSETTE LOADER
PRO-59-008-001	LINKAGE WORK SURFACE
PRO-59-011-001	LINKAGE TOP PL LATCH
PRO-59-013-001	HANDLE CONNECTOR
PRO-74-080-001	GAP TOOL
PRO-80-041-001	PEN BLUE STRIP CHART RCDR
PRO-80-041-002	PEN RED STRIP CHART RCDR
PRO-80-041-003	PEN BLACK STRIP CHART RCDRQ
PRO-80-055-104	PAPER METRIC CROOM STRIP CHART
PRO-80-055-104CR	PAPER METRIC CLN RM STRIP CHART RCDR
PRO-80-055-255	XCDR PRESS
PRO-80-055-400	DISPLAY, TOUCH SCR, 15
PRO-80-080-031	FLOW CONT VAC VALVE
PRO-80-080-052	CYLINDER DBL PANCAKE
PRO-80-080-054	CYL DBL PVT MT 10S 1-1/16B
PRO-80-080-062	SPRING PNEU GAS
PRO-80-080-065	CYL DBL STUD MT 1S 1/2B
PRO-80-080-072	CYLINDER DBL ENDED (PINS)
PRO-80-080-077	CYLINDER AIR (CHUCK)
PRO-80-080-093	FILTER GAS .01 MICRON
PRO-80-082-011	KIT LIMIT SWITCH VAC VALVE
PRO-80-095-053	CONTROLLER TEMP NON-INDICATING
PRO-80-095-057	PROBE TEMPERATURE SST
PRO-80-095-090	LED 2-COND 24"L
PRO-80-095-125	PHOTOTRANSISTOR 2-COND 24"L
PRO-80-095-147	POWER SUPPLY 5V +/- 15VDC
PRO-80-095-152	POWER SUPPLY 28V
PRO-80-095-192	MOTOR STEPPER 4PH 24VDC 1.8 DEGREE (CARRIER)
PRO-80-095-192L	MOTOR STEPPER 4PH 24 VDC 1.8 DEGREE (ELEV)
PRO-80-095-196	COUNTER, PNEUMATIC, 8 DIGIT, HH-120 PSIG
PRO-80-095-205	TRANSFORMER AUTO
PRO-80-095-358	LED/SENSOR MATCHED PAIR 2 SPACE"
PRO-80-095-370	PRESSURE XDCR ABS 0-10TORR VCR CA
PRO-80-095-659	SOCKET, RS8, BANNER
PRO-80-095-697	AMPLIFIER, MA3, BANNER
PRO-80-107-003	SCR, RND HD SLOTTED, ALUM, 6-32 X 1/4
PRO-80-127-001	SCR PNH PH 4-40 X 1/4L SST
PRO-80-127-002	SCREW PNH PH 4-40 X 3/8L PL SST
PRO-80-127-003	SCREW, PNH, PH, 4-40 X 1/2L, PLAIN, SST
PRO-80-127-004	SCR PNH PH 4-40 X 5/8L SST
PRO-80-127-021	SCR PNH PH 6-32 X 1/2L SST

PRO-80-127-022	SCREW PNH PH 6-32X3/8L PLAIN SST
PRO-80-127-023	SCREW PNH PH 6-32 X 1/2L PL SST
PRO-80-127-024	SCREW PNH PH 6-32 X 5/8L PLAIN SST
PRO-80-127-042	SCREW PNH PH 8-32 X 3/8L PL SST
PRO-80-127-043	SCR PNH PH 8-32 X 1/2L SST
PRO-80-127-047	SCREW PNH PH 8-32 X 1L PL SST
PRO-80-127-062	SCR PNH PH 10-32 X 3/8L PLAIN SST
PRO-80-127-063	SCREW PNH PH 10-32 X 1/2L PLAIN SST
PRO-80-127-069	SCREW PNH PH 10-32 X 1-3/4L PL SST
PRO-80-127-101	SCREW PNH PH 4-40 X 1/4L PATCH-LOK SST
PRO-80-127-102	SCREW PNH PH 4-40 X 3/8L PATCH-LOK SST
PRO-80-127-104	SCREW PNH PH 4-40 X 5/8L PACTH-LOK SST
PRO-80-127-121	SCREW PNH PH 6-32 X 1/4L PATCH-LOK SST
PRO-80-127-122	SCREW PNH PH 6-32 X 3/8L PATCH-LOK SST
PRO-80-127-123	SCREW PNH PH 6-32 X 1/2L PATCH-LOK SST
PRO-80-127-124	SCREW, PNH, PH 6-32 X 5/8L, LKG, SST
PRO-80-127-142	SCREW PNH PH 8-32 X 3/8L PATCH-LOK SST
PRO-80-127-143	SCREW, PNH, PH, 8-32 X 1/2L, LKG, SST
PRO-80-127-144	SCREW, PNH, PH, 8-32X5/8L, LKG, SST
PRO-80-127-161	SCREW PNH PH 10-32 X 1/4L PATCH-LOK SST
PRO-80-127-162	SCREW PNH PH 10-32 X 3/8L PATCH-LOK SST
PRO-80-127-163	SCREW PNH PH 10-32 X 1/2L PATCH-LOK SST
PRO-80-127-164	SCREW PNH PH 10-32 X 5/8L LKG SST
PRO-80-127-167	SCREW PNH PH 10-32 X 1L LKG SST
PRO-80-127-183	SCREW PNH PH 1/4-20 X 1/2L PATCH-LOK SST
PRO-80-127-186	SCREW PNH PH 1/4-20 X 7/8L LKG SST
PRO-80-127-222	SCREW SCH 6-32 X 3/8L PL SST
PRO-80-127-224	SCREW, SCH, 6-32 X 5/8L, PLAIN, SST
PRO-80-127-243	SCR PNH PH 8-32 X 1/2L SST
PRO-80-127-262	SCREW SCH 10-32 X 3/8L PLAIN SST
PRO-80-127-263	SCREW SCH 10-32 X 1/2L PLAIN SST
PRO-80-127-271	SCREW SCH 10-32 X 2-1/4L PL SST
PRO-80-127-273	SCREW SCH 10-32 X 1-1/4L PLAIN SST
PRO-80-127-282	SCREW SCH 1/4-20 X 3/8L PL SST
PRO-80-127-284	SCR SCH 1/4-20 X 5/8L SST
PRO-80-127-285	SCR SCH 1/4-20 X 3/4L SST
PRO-80-127-286	SCREW SCH 1/4-20 X 7/8L PLAIN SST
PRO-80-127-287	SCREW, SCH, 1/4-20 X 1L, LKG, SST
PRO-80-127-321	SCREW SCH 6-32 X 1/4L PATCH-LOK SST
PRO-80-127-323	SCREW, SCH, 6-32 X 1/2L, LKG, SST
PRO-80-127-325	SCREW SCH 6-32 X 3/4L PATCH-LOK SST
PRO-80-127-342	SCREW SCH 8-32 X 3/8L PATCH-LOK SST
PRO-80-127-343	SCREW SCH 8-32 X 1/2L PATCH-LOK SST
PRO-80-127-362	SCREW SCH 10-32 X 3/8L PATCH-LOK SST
PRO-80-127-363	SCREW SCH 10-32 X 1/2L PATCH-LOK SST
PRO-80-127-364	SCREW, SCH, 10-32 X 5/8L, LKG, SST
PRO-80-127-365	SCREW SCH 10-32 X 3/4L LKG SST
PRO-80-127-383	SCREW SCH 1/4-20 X 1/2L PATCH-LOK SST
PRO-80-127-384	SCREW SCH 1/4-20 X 5/8L PATCH-LOK SST
PRO-80-127-385	SCREW SCH 1/4-20 X 3/4L PATCH-LOK SST

PRO-80-127-386	SCREW SCH 1/4-20 X 7/8L PATCH-LOK SST
PRO-80-127-389	SCREW, SCH, 1/4-20 X 3L, LKG, SST
PRO-80-127-401	SCREW, FLH, PH, 4-40 X 1/4L, PLAIN, SST
PRO-80-127-421	SCREW FLH PH 6-32 X 1/4L PL SST
PRO-80-127-423	SCREW FLH PH 6-32 X 1/2L PL SST
PRO-80-127-424	SCR FLH PH 6-32 X 5/8L SST
PRO-80-127-462	SCREW FLH PH 10-32 X 3/8L PL SST
PRO-80-127-501	SCREW FLH PH 4-40 X 1/4L PATCH L-LOCK SST
PRO-80-127-502	SCREW FLH PH 4-40 X 3/8L PATCH-LOK SST
PRO-80-127-521	SCREW, FLH, PH, 6-32 X 1/4L, LKG, SST
PRO-80-127-522	SCREW FLH PH 6-32 X 3/8L PATCH-LOK SST
PRO-80-127-542	SCREW FLH PH 8-32 X 3/8L PATCH-LOK SST
PRO-80-127-543	SCR FLH PH 8-32 X 1/2L LKG SST
PRO-80-127-544	SCREW, FLH, PH, 8-32 X 5/8L, LKG, SST
PRO-80-127-563	SCR FLH PH 10-32 X 1/2L LKG SST
PRO-80-127-565	SCREW FLH PH 10-32 X 3/4L PATCH-LOK SST
PRO-80-127-584	SCREW FLH 1/4-20 X 5/8L PATCH-LOK SST
PRO-80-127-601	SCREW, SET, SCH, 4-40 X 1/4L, LKG, SST
PRO-80-127-641	SCREW SET, SCH, 8-32 X 1/4L, LKG, SST
PRO-80-127-642	SCREW, SET, SCH, 8-32 X 3/8L, LKG, SST
PRO-80-127-705	SCR HXHDC 1/4-20 X 1L SST
PRO-80-127-823	SCREW, SET, SCH, 6-32 UNC X 1/2, PLAIN SST
PRO-80-127-824	SCREW SET SCH 6-32 X 5/8L PLAIN SST
PRO-80-127-825	SCREW SET SCH 6-32 X 3/4L PL SST
PRO-80-127-827	SCREW SET SCH 6-32 X 1L PL SST
PRO-80-127-828	SCREW SET SCH 6-32 X 1/8L PL SST
PRO-80-127-841	SCREW SET SCH 8-32 X 1/4L PL SST
PRO-80-127-867	SCREW SET SCH 10-32 X 1L PL SST
PRO-80-128-065	SCREW VENTED PNH PH 10-32 X 3/4L SST
PRO-80-128-143	SCREW VENTED SCH 8-32 X 1/2L SST
PRO-80-150-061	SCREW SHOULDER HEX SOCKET 10-32 X 1/2L SST
PRO-80-150-124	SCREW PNH PH 6-32 X 5/8L PATCH-LOK SST
PRO-80-150-131	SCREW, SHLDR, 10-32, 1/8
PRO-80-150-143	SCREW PNH PH 8-32 X 1/2L PATCH-LOK SST
PRO-80-150-147	SCREW, SHLDR, SLOTTED, SST
PRO-80-150-151	SCREW SCH 10-24 X 1L PLAIN SST
PRO-80-150-152	SCREW SCH 10-24 X 3-1/2L SST
PRO-80-150-154	SCREW HEX CAP 1/2-20 X 3/4L PL SST
PRO-80-150-171	SCREW, CAP, SCH, 5/16-18 X 3/4 L, SST
PRO-80-150-176	SCREW, PNH, PH, 8-32 X 3/8L, BRASS
PRO-80-150-184	SCR HEX CAP 3/8-16 X 1L SST
PRO-80-150-187	SCREW, CAP SOC HD, 5/16-18 X 1 LG, PLAIN SST
PRO-80-150-188	SCREW PNH SL 5-40 X 3/8L SST
PRO-80-150-193	SCREW SHLDR SCH 10-32 X 3/8L SST
PRO-80-150-207	SCREW BUTTON HEAD SOCKET 10-32 X 3/8L SST
PRO-80-150-234	SCR FLH SOC 5/16-24 X 1L SST
PRO-80-150-286	SCR VENT-BH 8-32 X 3/4L SST
PRO-80-152-002	NET, HEX, 6-32-UNC-2B
PRO-80-152-003	NUT HEX 6-32-UNC-2B PLAIN SST
PRO-80-152-004	NUT HEX 8-32-UNC-2B PLAIN SST

PRO-80-152-005	NUT HEX 10-32-UNC-2B PLAIN SST
PRO-80-152-006	NUT HEX MACH SCR 1/4-20 SST
PRO-80-152-007	NUT, HEX, MACH SCR 5/16-18 SST
PRO-80-153-002	NUT HEX 6-32-UNC-2B LOCKING
PRO-80-153-003	NUT HEX 8-32-UNC-2B LKGSST
PRO-80-153-004	NUT HEX 10-32-UNF-2B LKG
PRO-80-153-005	NUT, HEX, 1/4-20-UNC-2B, LKG, SST
PRO-80-153-006	NUT, HEX, 5/16-18 UNC-2B, NYLON LKG, SST
PRO-80-159-002	NET HEX NYLON
PRO-80-160-056	WASHER, (1/4), 260ID X .625OD, SST
PRO-80-160-078	WASHER AL 915
PRO-80-161-084	WASHER, LOCKING, 5/16, SST
PRO-80-162-001	WASHER FLAT #4 SST
PRO-80-162-002	WASHER FLAT #6 PLAIN SST
PRO-80-162-003	WASHER FLAT #8 PLAIN SST
PRO-80-162-004	WASHER FLAT #10 PLAIN SST
PRO-80-162-005	WASHER FLAT 1/4 PL SST
PRO-80-162-006	WASHER, FLAT 3/8, PLAIN, SST, .406 I.D. X .812 O.D. X .07 THK.
PRO-80-162-007	WASHER FLAT 5/16 PL SST
PRO-80-163-001	WASHER LKG EXT-T #4 SST
PRO-80-163-002	WASHER LKG EXT-T #6 SST
PRO-80-163-003	WASHER LKG EXT-T #8 SST
PRO-80-163-004	WASHER LKG EXT-T #10 SST
PRO-80-163-005	WSHR LKG EXT TOOTH 1/4
PRO-80-163-006	WASHER LOCKING
PRO-80-163-022	WASHER LKG SPRING #4 SST
PRO-80-163-023	WASHER, LKG SPRING, #6, SST
PRO-80-163-024	WASHER LKG SPRING #8 SST
PRO-80-165-001	WASHER FLAT 0.5 X 0.88 X 0.062 BRS
PRO-80-165-002	WASHER FBR .255ID X 1/2OD X 1/16
PRO-80-165-003	WASHER FLAT NYLON #4
PRO-80-165-004	WASHER FLAT NYLON #6
PRO-80-165-014	WASHER FLAT .194 X .312 X .031 NYL
PRO-80-165-025	WASHER, CVR, SPR, .295ID X .551OD
PRO-80-165-026	WASHER, CVR, SPR, .525ID X .980OD
PRO-80-165-027	WASHER, FLAT, PL, .208 X .500 X .010, SST
PRO-80-165-028	WASHER FLAT .255ID X .497OC X .010"
PRO-80-165-031	WSHR FLT 1/4 .560 X .259 X .050THK
PRO-80-165-035	WASHER FLAT .257 X 1/2 X .062 NYLON
PRO-80-165-036	WSHR FL .203 X .562 X .040 SST
PRO-80-170-002	STANDOFF SMALL 915
PRO-80-170-013	STANDOFF LARGE 915
PRO-80-170-018	STANDOFF RD 6-32 X 1-7/16L 3/8 NYL
PRO-80-170-025	STANDOFF M/F 1/4 HEX X 6-32 X 1/4"L NYLON"
PRO-80-170-028	STANDOFF M/F RD 6-32 X 1-1/2L X 1/4 NYLON
PRO-80-170-029	STANDOFF M/F 1/4 HEX X 6-32 X 1 1/16"L NYLON"
PRO-80-170-042	STANDOFF, M/F, HX, 4-40 X 1/4 X 1/4, NYLON
PRO-80-170-043	STANDOFF, HX, 6-32 X 5/8L X 1/2, NYL
PRO-80-172-004	SPACER, RD, #10CLR X 1/4L X 5/16, AL
PRO-80-172-042	STANDOFF M/F 6-32 X 3/4L 1/4 BRASS

PRO-80-172-048	STANDOFF 1/2 RND X 1/4" CLR HL X 1/4"L ALUM"
PRO-80-172-049	STANDOFF HX
PRO-80-172-050	STANDOFF HX
PRO-80-192-036	FITTING, BHD, 1/4OD, T-1/8FNPT, BRS
PRO-80-192-112	FTNG VCR 1/4-4 FLEX"
PRO-80-192-127	TUBING FLEXIBLE SST 24in.
PRO-80-192-128	ADAPTER, SWAGE TO VCR, 1/4T, SST
PRO-80-192-134	FITTING, VCR, 1/4 X 12 L , FLEX, F/F
PRO-80-192-136	FITTING VCR 1/4-12 FLEX TUBE MA-FE"
PRO-80-192-139	GASKET Si PLATED SST
PRO-80-192-153	FITTING 1/4ID TUBING 1/8 NPT BRASS
PRO-80-192-154	FTNG ELB 1/4ID T-1/4MNPT BRB
PRO-80-192-155	FITTING STR 1/4OD T 10-32 MTHRD
PRO-80-192-160	FITTING PANEL
PRO-80-192-161	FTNG CPLG INSR
PRO-80-192-162	FTNG CPLG NO-INSR
PRO-80-192-163	FTNG CPLG BODY
PRO-80-192-164	FTNG CPLG BODY
PRO-80-192-165	FTNG CPLG BODY 1/4F 1/4T S-OFF
PRO-80-192-168	FTNG CPLG BODY 1/8F 1/4T PNL
PRO-80-192-169	FTNG CPLG BODY 1/8F 1/4T PNL
PRO-80-192-182	FTNG ELB INSR M-MTG 1/8F 1/4T
PRO-80-192-192	FITTING 1-TOUCH ELB
PRO-80-192-198	FITTING, STR, 1/4ID, H, 1/8MNPT, SST
PRO-80-192-199	FITTING, ADPTR, 1/4ID, 3/8OD, T, SST
PRO-80-192-200	FITTING STR 1/4ID (POLYPRO)
PRO-80-195-015	HOSE
PRO-80-195-029	FITTING BSHG 10-32 TO 1/8NPT
PRO-80-195-031	FTNG ELB 10-32 (1M-2F) ROT
PRO-80-195-096	FTNG TEE 1/8ID T BRB
PRO-80-195-098	FTNG BRBD BRS 10-32 X 1/4 T
PRO-80-195-101	SEAL, NW40, CTR-RING, W/V-OR, AL
PRO-80-195-102	CLAMP NW40 1-1/2OD T HNG AL
PRO-80-195-104	FTNG, UH, U-T, 1/2 OD T, SST
PRO-80-195-105	FITTING THCP MA SS
PRO-80-195-119	FITTING VCR
PRO-80-195-142	CLAMP NW50 2 OD T HNG"
PRO-80-195-153	PLUG 10-32 X 1/4L BRASS
PRO-80-195-154	FITTING BARBD 10-32UNF MALE
PRO-80-195-156	PLUG HEX HOLLOW 1/8 NPT BRASS
PRO-80-195-158	FTNG BRBD ELB 1/8NPT BRASS
PRO-80-195-159	FTNG CPLG BODY 1/8F 1/4T PNL
PRO-80-195-160	FITTING COUPLING BODY
PRO-80-195-162	FITTING, CPLG, INSR, 1/8F, 1/8T, SST
PRO-80-195-166	FTHG CPLG BODY
PRO-80-195-168	FITTING COUPLING
PRO-80-195-185	FITTING NUT VCR BLIND
PRO-80-195-199	FTNG STRAIGHT FERRULESS 250
PRO-80-195-236	**NO DESCRIPTION**
PRO-80-195-238	FITTING, PLUG, 10-32F, S-T, SGL-S-OFF

PRO-80-195-239	FITTING COUPLING
PRO-80-195-259	FTNG TEE 1/8ID
PRO-80-195-267	**NO DESCRIPTION**
PRO-80-195-284	FTNG STR 1/8OD
PRO-80-195-285	FITTING STR 1/8OD
PRO-80-195-310	GASKET VCR 1/2"OD T
PRO-80-195-312	FITTING EL BARBED 1/8 NPT 1/8 ID TUBING BRASS
PRO-80-195-379	BELLOWS KF40 FLG 3.93L
PRO-80-195-390	PORT GAUGE PG-15 SS
PRO-80-195-407	FITTING, ELB, ST, 1/4FNPT, 1/4MNPT
PRO-80-195-409	FITTING, TEE, 1/4FNPT, SST
PRO-80-195-410	FITTING, TEE, ST, 1/4FNPT, 1/4MNPT
PRO-80-195-414	FITTING, BHD, UN, 3/8OD, T,SST
PRO-80-195-415	FITTING, BHD, 3/8OD, T-1/4MNPT
PRO-80-195-426	FITTING, BHD, 3/8OD, T-1/4FNPT
PRO-80-195-427	FITTING, ELB, 3/8OD, T-1/4MNPT
PRO-80-195-428	FITTING, BSHG, 1/4MNPT, T-1/8FNPT
PRO-80-195-696	SENSOR, BANNER
PRO-80-197-013	VALVE TGL 3-WAY NC BRS
PRO-80-197-018	VALVE, AIR 4-WAY NC/NO 10-32P
PRO-80-197-040	VALVE NDL ADJ CONT 10-32
PRO-80-197-049	GSKT BNT BLWS-V KEL-F 1/2ID
PRO-80-197-063	VALVE AIR NC
PRO-80-198-050	MANIFOLD DBL-MTG 12V
PRO-80-198-054	VALVE PNEU PPT 3-WAY
PRO-80-198-055	MANIFOLD SGL-MTG 2V
PRO-80-198-056	MUFFLER EXH VALVE
PRO-80-198-061	MANIFOLD STG-MTG 4V
PRO-80-198-074	VALVE 3-12PSI
PRO-80-200-031	SHAFT, PRCN, 1/4DIA, 1-1/2L, SST
PRO-80-200-038	BEARING FLANGED DBL SHLD
PRO-80-200-086	RING-E, 1/4
PRO-80-200-087	E-RING, STL, 5/16 SHAFT
PRO-80-200-088	PAD LVL 3/8-16 X 2L THRD STUD
PRO-80-200-095	COLLAR, 1/4B, 1/2OD, SET, SCR, SST
PRO-80-200-098	ROD END, FEM
PRO-80-200-109	SPR 31/64H 16L BECU
PRO-80-200-121	BEARING FLANGED DBL SHLD
PRO-80-200-122	RING-E, 1/8
PRO-80-200-127	BEARING FLANGED DBL SHLD
PRO-80-200-144	BSHG BALL
PRO-80-200-177	SHAFT, CARRIAGE
PRO-80-200-183	RING RETAINING
PRO-80-200-185	TIP JACK PNL MT .080 EYLT RED
PRO-80-200-187	PULLEY, 1/4B, 20GRV, 40DP, 5/16BL
PRO-80-200-188	PULLEY, 1/4B, 40GRV, 40DP, 5/16BL
PRO-80-200-195	TIP JACK PNL MT .080 EYLT
PRO-80-200-207	SPRING PIN, 3/32 X 1, SST
PRO-80-200-210	RING RETAINING
PRO-80-200-216	SPRING EXTENSION

PRO-80-200-219	SLIDE DWR 18L 125LB CAP 1/2W"
PRO-80-200-302	SPRING CPRSM
PRO-80-200-305	CLAMP CAPACITOR
PRO-80-200-314	CAM FOLLOWER
PRO-80-200-338	PULLEY
PRO-80-200-340	RING EXT
PRO-80-200-342	BAND CONT FEM .125 PIN .320L STAINLESS STEEL
PRO-80-200-346	CLAMP 2-EAR
PRO-80-200-366	CLAMP WORM GEAR
PRO-80-200-385	FAN GUARD, 3-1/4 NTG, STL WIRE
PRO-80-200-396	MAGNET ROD
PRO-80-202-004	GROMMET, CONTROL
PRO-80-202-005	GROMMET CONTINUOUS
PRO-80-202-010	BUSHING, SNAP-IN
PRO-80-202-019	CABLE TIE, SCREW MNT, NYL
PRO-80-202-020	CABLE TIE PAN-TY
PRO-80-202-024	TEST JACK HORIZONTAL PCB BLACK
PRO-80-202-025	TEST JACK, HORIZ, PCB, RED
PRO-80-202-026	TEST JACK, HORIZ, PCB, GRN
PRO-80-202-027	TEST JACK HORIZONTAL PCB ORN
PRO-80-202-028	TEST JACK HORIZONTAL PCB YEL
PRO-80-202-029	TEST JACK HORIZ PCB VIO
PRO-80-202-034	GROMMET
PRO-80-202-043	SONALERT AUD SIG 64-80DB PNL
PRO-80-202-046	GROMMET
PRO-80-202-061	O-RING SILC GRY
PRO-80-202-081	CABLE TIE MOUNTS
PRO-80-202-082	TEST JACK HORIZONTAL PCB BRN
PRO-80-202-083	O-RING SILC GRY
PRO-80-202-107	CABLE-TIE W/FLAG
PRO-80-202-119	O-RING PU CLR
PRO-80-202-120	O-RING PU CLR
PRO-80-202-121	O-RING PU CLR
PRO-80-202-123	O-RING PU CLR
PRO-80-202-124	O-RING PU CLR
PRO-80-202-128	O-RING VITON
PRO-80-202-129	O-RING VITON
PRO-80-202-130	O-RING VITON
PRO-80-202-131	O-RING VITON
PRO-80-202-154	O-RING VITON
PRO-80-202-162	GROMMET
PRO-80-202-168	GROMMET
PRO-80-202-186	BELT TIMING (SPAT)
PRO-80-202-187	O-RING SILC GRAY
PRO-80-202-188	O-RING VITON
PRO-80-202-189	O-RING VITON
PRO-80-202-190	O-RING VITON
PRO-80-202-191	O-RING VITON
PRO-80-202-192	O-RING VITON
PRO-80-202-193	O-RING SILC GRY

PRO-80-202-212	O-RING VITON
PRO-80-202-219	GROMMET MOLDED-STRIP NYLON
PRO-80-202-228	O-RING
PRO-80-202-229	HEATER 625W 120/240V 2.5W 14"L
PRO-80-202-234	O-RING VITON
PRO-80-202-246	O-RING VITON
PRO-80-202-248	O-RING VITON
PRO-80-202-252	O-RING VITON
PRO-80-202-253	O-RING VITON
PRO-80-202-261	O-RING
PRO-80-202-269	GROMMET STRIP .192-255 PNL NY
PRO-80-202-272	MOUNT FL CA 2W ADH NYLON
PRO-80-202-273	MOUNT, FL, CA, 3W, CA, ADH, NYL
PRO-80-202-274	MOUNT FLAT CABLE TYPE 1in.
PRO-80-202-275	CLAMP, WIRE BUNDLE TYPE, ADJUSTABLE
PRO-80-202-286	BLT, TMG, 1/4W 149GRV, 40DP
PRO-80-202-293	O-RING,
PRO-80-202-297	BELT TIMING (SSPAT)
PRO-80-202-298	BELT TIMING (MAT. NET.)
PRO-80-202-307	GROMMET, 1/4 I.D., 3/8 DIA, HOLE
PRO-80-202-312	MOUNT, VIB/SHOCK, .81OD, .564, PVC
PRO-80-202-313	MOUNT, VIB/SHOCK, .81OD, .254, PVC
PRO-80-202-315	O-RING NITRILE
PRO-80-202-316	O-RING NITRILE
PRO-80-202-323	GASKET (SOLD IN PACKAGES OF 25 EA)
PRO-80-202-326	O-RING
PRO-80-202-333	LIGHT PIPE
PRO-80-202-343	BSHG BALL
PRO-80-202-357	O-RING SILC GRY
PRO-80-202-367	O-RING
PRO-80-202-388	O-RING NITRILE
PRO-80-202-389	O-RING SILC GRY
PRO-80-202-390	O-RING SILC GRY
PRO-80-202-391	O-RING SILC GRY
PRO-80-202-392	O-RING SILC GRY
PRO-80-202-393	O-RING SILC GRY
PRO-80-202-394	O-RING CHEMREZ
PRO-80-202-396	O-RING VITON
PRO-80-202-397	O-RING VITON
PRO-80-202-405	O-RING
PRO-80-202-465	O-RING CHEMREZ
PRO-80-202-467	O-RING, CHEMREZ, 263
PRO-80-202-468	O-RING CHEMREZ
PRO-80-202-472	TEST JACK HORIZ PCB BLU
PRO-80-295-024	TAPE ADHESIVE TRANSFER
PRO-80-295-027	TAPE, TEFLON
PRO-80-300-001	CAPACITOR CE 22PF 10% 1KV
PRO-80-300-002	CAP, FIXED, CER DISC, 470PF
PRO-80-300-004	CAPACITOR, CE, .01UF, 20%, 3KV
PRO-80-305-001	CAPACITOR 0.1uF

PRO-80-305-002	CAPACITOR CE .22UF 10% 50V
PRO-80-305-003	CAP CE .001uF 10% 200V
PRO-80-305-004	CAPACITOR CE .01UF 10% 200V
PRO-80-305-005	CAPACITOR CE .33UF 10% 50V
PRO-80-305-011	CAPACITOR CE 47PF 10% 200V
PRO-80-310-002	CAP, MICA, RADIAL, 120 pF, 5%, 500 V
PRO-80-320-005	CAPACITOR AL 33UF
PRO-80-320-006	CAPACITOR, 6800 PF, 16V
PRO-80-330-002	CAPACITOR TA 1UF 10% 50V
PRO-80-330-003	CAP, TANT, 10UF, 10%, 35V, RDL
PRO-80-330-006	CAP, TA, RADIAL, 1.0uf, 10%, 35V
PRO-80-330-015	CAPACITOR, TA, 2.2uF, 10%, 25V, RDL
PRO-80-370-004	CAP PCARB 1uF 10% 50V
PRO-80-370-008	CAP RF TRANSMITTING
PRO-80-380-005	CAP VAR AIR
PRO-80-380-009	CAPACITOR VAR AIR 1500 PF
PRO-80-400-012	RESISTOR, CF, 30 OHM, 5%, 1/4W
PRO-80-400-015	RESISTOR, CF, 39 OHM, 5%, 1/4W
PRO-80-400-023	RESISTOR, CF, 82 OHM, 5%, 1/4W
PRO-80-400-025	RESISTOR CF100 OHM 5%1/4W
PRO-80-400-029	RESISTOR, CF, 150 OHM, 5%, 1/4W
PRO-80-400-031	RESISTOR CF 180 OHM 5% 1/4W
PRO-80-400-032	RESISTOR, CF, 200 OHM, 5%, 1/4W
PRO-80-400-037	RES, CC, 5%, 1/4W, 330 OHM
PRO-80-400-039	RESISTOR, CF, 390 OHM, 5%, 1/4W
PRO-80-400-041	RESISTOR CF 470 OHM5% 1/4W
PRO-80-400-042	RESISTOR CF510 OHM 5%1/4W
PRO-80-400-046	RESISTOR CF 750 OHM5% 1/4W
PRO-80-400-049	RESISTOR CF1.0K 5%1/4W
PRO-80-400-050	RESISTOR, CF, 1.1 KOHM, 5%, 1/4W
PRO-80-400-053	RESISTOR CF 1.5K OHM5% 1/4W
PRO-80-400-057	RESISTOR CF2.2K 5%1/4W
PRO-80-400-061	RESISTOR CF 3.3K 5% 1/4W
PRO-80-400-063	RESISTOR CF3.9K 5%1/4W
PRO-80-400-065	RESISTOR CF4.7K 5%1/4W
PRO-80-400-066	RESISTOR CF5.1K 5%1/4W
PRO-80-400-067	RES, CC, 5%, 1/4W, 5.6K OHM
PRO-80-400-068	RESISTOR CF6.2K 5%1/4W
PRO-80-400-073	RESISTOR CF10K 5%1/4W
PRO-80-400-074	RESISTOR, CF, 11 KOHM, 5%, 1/4W
PRO-80-400-077	RESISTOR CF15K 5%1/4W
PRO-80-400-079	RESISTOR, CF, 18 KOHM, 5%, 1/4W
PRO-80-400-080	RESISTOR, CF, 20 KOHM, 5%, 1/4W
PRO-80-400-081	RESISTOR CF 22K 5% 1/4W
PRO-80-400-083	RESISTOR CF 27K OHM5% 1/4W
PRO-80-400-084	RESISTOR CF30K 5%1/4W
PRO-80-400-089	RES, CF, 47KOHM, 5%, 1/4W
PRO-80-400-090	RESISTOR CF51K 5%1/4W
PRO-80-400-091	RESISTOR 56KOHM
PRO-80-400-092	RESISTOR CF62K 5%1/4W

PRO-80-400-093	RES, CF, 68KOHM, 5%, 1/4W
PRO-80-400-096	RESISTOR CF91K 5%1/4W
PRO-80-400-097	RESISTOR CF100K 5%1/4W
PRO-80-400-099	RESISTOR CF120K 5%1/4W
PRO-80-401-006	RESISTOR CF220K 5%1/4W
PRO-80-401-008	RESISTOR CF270K 5%1/4W
PRO-80-401-010	RESISTOR, CF, 330 KOHM, 5%,1/4W
PRO-80-401-014	RESISTOR CF470K 5%1/4W
PRO-80-401-022	RESISTOR CF 1M OHM5% 1/4W
PRO-80-401-030	RESISTOR, CF, 2.2 MEGOHM, 5%,1/4W
PRO-80-401-032	RESISTOR CF 2.7M OHM5% 1/4W
PRO-80-401-050	RESISTOR, CF, 10 MEGOHM, 5%,1/4W
PRO-80-402-017	RESISTOR CF47 OHM 5%1/2W
PRO-80-402-042	RESISTOR CF510 OHM 5%1/2W
PRO-80-402-044	RESISTOR CF 620 OHM 5% 1/2W
PRO-80-402-049	RESISTOR CF 1.0K 5% 1/4W
PRO-80-402-073	RESISTOR, CC, 5%, 1/2W, 10KOHM
PRO-80-405-015	RESISTOR, CC, 5%, 1W, 50 KOHM
PRO-80-406-009	RES, CC, 5%, 2W, 22 OHM
PRO-80-406-018	RES, CC, 51OHM, 5%, 2W
PRO-80-415-002	RESISTOR MF 499 1% 1/4W
PRO-80-415-004	RESISTOR MF10.5 KOHM1%1/4W
PRO-80-415-007	RESISTOR MF9.09 KOHM1%1/4W
PRO-80-415-008	RESISTOR, MF, 137 OHM, 1%, 1/4 WATT
PRO-80-415-009	RESISTOR MF 348 1% 1/4W
PRO-80-415-010	RESISTOR MF 2K 1% 1/4W
PRO-80-415-012	RESISTOR, MF,10 KOHM, 1%,1/4W
PRO-80-415-013	RESISTOR MF 7.5 KOHM1%1/4W
PRO-80-415-016	RESISTOR MF 1.02 KOHM1%1/4W
PRO-80-415-024	RESISTOR, MF,100 KOHM, 1%,1/4W
PRO-80-415-026	RESISTOR, MF, PRECISION, 1.1K, 1%
PRO-80-415-033	RESISTOR, MF, 4.99 KOHM, 1%,1/4W
PRO-80-415-034	RESISTOR, MF, 953 OHM, 1%,1/4W
PRO-80-415-036	RESISTOR, MF, 1.0 MEGOHM, 1%,1/4W
PRO-80-415-037	RESISTOR, MF, 20 KOHM, 1%,1/4W
PRO-80-415-039	RESISTOR MF 49.9 KOHM1%1/4W
PRO-80-415-064	RESISTOR MF 30.1 KOHM1%1/4W
PRO-80-415-080	RESISTOR MF 12.1 KOHM1%1/4W
PRO-80-415-083	RESISTOR MF 249 KOHM1%1/4W
PRO-80-420-006	RESISTOR NETWORK 120 KOHM 2% 8R 16P DIP
PRO-80-420-007	RESISTOR NETWORK 82 KOHM 2% 8R 16P DIP
PRO-80-450-023	POT 50K 25T 3/8SQ
PRO-80-450-037	POT, 2K OHM, 25 TURN, VERT ADJ
PRO-80-500-002	PHOTO CELL
PRO-80-500-016	PHOTOCELL, SILC, 320-1150NM
PRO-80-506-003	OPTICAL FILTER - 903E CELL- A
PRO-80-506-008	OPTICAL FILTER -901E CELL- B
PRO-80-506-010	OPTICAL FILTER - 901E CELL- A
PRO-80-506-013	OPTICAL FILTER - 903E CELL- B
PRO-80-510-001	DIODE 1N198 80V 4A

PRO-80-510-013	DIODE 1N914B SWITCH 75V 4NS SI
PRO-80-510-015	RECTIFIER 1N4001 50V 1A SI
PRO-80-510-019	DIODE 1N829A REF 6.2V 5%
PRO-80-510-023	DIODE 1N4756 REF 47F 10% 1W
PRO-80-520-001	TRANSISTOR 2N3904 NPN L-P 40V 200MA
PRO-80-520-013	TRANSISTOR, TIP 125, PNP, SWITCH
PRO-80-520-014	TRANSISTOR, TIP 120, NPN, SWITCH
PRO-80-520-015	TRANSISTOR 2N3906 PNP L-P 40V
PRO-80-520-023	TRANSISTOR 2N4401 NPN 40V 600MA
PRO-80-530-001	IC 3302, QUAD COMPARATOR
PRO-80-530-012	IC DUAL D FLIP-FLOP
PRO-80-530-018	IC 4049UB HEX INV BUFFER
PRO-80-530-020	I.C. HIIB1
PRO-80-530-022	IC, 4053, TRIPLE, 2-CH, ANALOG MUX
PRO-80-530-028	IC 4584 HEX SCHMIT INV
PRO-80-530-029	IC 741 OP AMP
PRO-80-530-036	IC 4516B 4-B BIN UP/DN CNTR
PRO-80-530-037	IC 4001B QUAD 2-IN NOR GATE
PRO-80-530-038	IC 14052
PRO-80-530-039	IC 139A QUAD VOLTAGE COMPTR
PRO-80-530-040	IC, 12-BIT, D-TO-A CONVERTER
PRO-80-530-045	IC, 78L05A, VR, 5V, 5%, 100mA
PRO-80-530-049	IC 741 OP AMP
PRO-80-530-053	IC, MC14051, 8-CHAN, ANALOG MUX
PRO-80-530-061	IC LM3900N
PRO-80-530-063	I.C. MC14066BCP
PRO-80-530-064	IC, 7805, VR, 3 TERMINAL, +5V REGULATOR
PRO-80-530-066	IC 358 DUAL OP AMP LOW PWR
PRO-80-530-067	IC U108 8-B MICRO PROCESSOR
PRO-80-530-080	IC 4017B DECADE CNTR/DIV
PRO-80-530-086	IC OP-07 OP AMP LW OFFSET
PRO-80-530-087	IC, AD581L, SH883B, HI-PRCN, 10V
PRO-80-530-093	IC 4050B HEX BUFFER
PRO-80-530-105	IC 2816A 2KX8 EEPROM
PRO-80-530-108	I.C. 8T97 HEX 3-STATE BFR INV
PRO-80-530-109	IC U63 12-B A-D CONV
PRO-80-530-111	IC U126 INDL INTFC ADPTR
PRO-80-530-113	IC DAC-08 D-A CONVERTER
PRO-80-530-115	IC U62
PRO-80-530-117	IC 74LS32
PRO-80-530-120	IC U137 & U138 DUAL LINE DRV
PRO-80-530-121	IC 75154
PRO-80-530-122	I.C. MM74HC00N
PRO-80-530-123	IC 74LS74
PRO-80-530-127	IC, ULTRA-LOW DRIFT, BIFET
PRO-80-530-128	IC 645-2H RELAY SOLID STATE
PRO-80-530-129	IC, 4808
PRO-80-530-131	IC, 1.2V REF
PRO-80-530-133	IC, 34002, DUAL OP AMP, JFET
PRO-80-530-162	IC 27256 32KX8 UV EPROM 200N

PRO-80-530-163	IC 27128 16KX8 EPROM 200N
PRO-80-530-164	IC, 4025B, TRIPLE 3-INPUT, NOR GATE
PRO-80-530-165	IC, 4094B, 8-STAGE, SHF&ST, BUS RG
PRO-80-530-174	IC 4015B DUAL 4-B SHF RGTR
PRO-80-550-004	VR, 320LZ-5.0, NEG 5V +/- .1V
PRO-80-620-006	LED YELLOW
PRO-80-620-019	DISPLAY VAC FLOUR
PRO-80-620-021	LED ARRAY QUAD RED
PRO-80-620-022	LED ARRAY QUAD GRN
PRO-80-620-024	WINDOW FILTER DISPLAY
PRO-80-620-029	LED ARRAY QUAD UPRIGHT RED
PRO-80-620-030	LED ARRAY QUAD UPRIGHT GRN
PRO-80-640-018	LAMP INCAND
PRO-80-640-019	LAMP INCND 28V
PRO-80-645-015	METER TEMP +5V
PRO-80-645-021	HOURMETER 7-DGT LCD
PRO-80-650-029	RELAY SOLID STATE
PRO-80-650-042	RELAY VAC SPDT 3.5SKV S6.5VDC
PRO-80-650-047	RELAY DIP DPST NO 12VDC
PRO-80-650-053	RELAY, ENCL, SPDT, 30A
PRO-80-660-012	INDUCTOR, CHOKE, RF, 1MH, CER
PRO-80-660-018	FILTER EMI LINE GROUND 30A
PRO-80-660-028	INDUCTOR 56uH 164mA MLD
PRO-80-660-030	CORE TOROIDAL RF 10 MHZ
PRO-80-670-016	SW TGL RTANG SPDT
PRO-80-670-018	SWITCH TOGGLE DPDT ON-NONE-ON RTANG
PRO-80-671-007	SWITCH PUSH-BUTTON
PRO-80-671-028	SWITCH PB SPST-NO OFF-MON=M SLDR
PRO-80-671-034	SWITCH, PULL TO CHEAT, SPDT, 15A
PRO-80-671-059	ACTUATOR PB EMER ROTARY REL STOPin."
PRO-80-671-067	HOLDER, LAMP, ALTR, SQ
PRO-80-671-071	BEZEL ACTUATOR SQUARE
PRO-80-671-072	BUTTON CAP
PRO-80-671-104	SW PB RTANG SPDT MOM
PRO-80-672-072	BUTTON CAP
PRO-80-678-007	SWITCH, MAGNETIC CONT
PRO-80-678-012	SWITCH DIP 4 POS SPDT SLIDE
PRO-80-678-027	SWITCH FLOW SPST
PRO-80-678-029	SWITCH FLOW SPST
PRO-80-679-001	SWITCH OPTICAL SLOTTED PT2
PRO-80-679-009	SWITCH VT STATIC CAP
PRO-80-679-012	SWITCH OPT SLTD IC=1800UA
PRO-80-680-028	RECEPTACLE, UHF, COAX
PRO-80-680-029	RECEPTACLE, 15A, 125VAC, 2P, 2W, U-GND
PRO-80-680-031	PLUG, STR, COAX, BNC, MA, POLTHN
PRO-80-680-032	RECEPTACLE, BHD, COAX, BMC, FEM
PRO-80-680-035	PLUG, STR, COAX, UHF, MA, CRP,
PRO-80-680-040	SHUNT DIP 8P PROGRAMMABLE
PRO-80-680-056	CIRCUIT BREAKER, 1P, 2A, 250V
PRO-80-680-058	ADAPTER ELBOW COAX N-TYPE J/PLUG

PRO-80-680-059	RECEPTACLE COAX
PRO-80-680-060	CONNECTOR N" TYPE"
PRO-80-680-067	CIRCUIT BREAKER, 2P, 2A, 250V
PRO-80-680-069	CIRCUIT BREAKER, 2P, 3A, 250V
PRO-80-680-073	BATTERY
PRO-80-680-076	CIRCUIT BREAKER, 2P, 10A, 250V
PRO-80-680-095	RECEPTACLE COAX
PRO-80-680-100	INLET 2P 3W 30A 250V L6-30
PRO-80-680-134	CIRCUIT BREAKER, 2P, 30A, 250V
PRO-80-680-144	RC PT PT COAX N FEM TFL
PRO-80-680-163	RF CONN UHF
PRO-80-700-001	CONNECTOR HDR STR 2P
PRO-80-700-003	SKT, CONT, 24-20 AWG, CRMP, BRS
PRO-80-700-009	CONNECTOR HEX FEM 5P
PRO-80-700-010	CONNECTOR HEX MA 5P W/HOOD
PRO-80-700-012	ADPTR ANG COAX UHF JACK-PLUG
PRO-80-700-014	SKT, CONT, 18-16 AWG, CRMP, BRS
PRO-80-700-098	HEADER, STR, 50P, .125PCB, W/SHORT LC
PRO-80-700-116	HOUSING 8P 20 AWG
PRO-80-700-118	COVER 8-PIN MASS TERM
PRO-80-700-124	CONNECTOR HDR STR 10P
PRO-80-700-128	COVER 10P
PRO-80-700-131	HOUSING W/LOCK 6P .100 CTR
PRO-80-700-132	HOUSING W/LOCK. 10P .100 CTR
PRO-80-700-143	HSG 8P 28AWG .100CTR CL END
PRO-80-700-144	HSG 5P 28AWG .100CTR CL END
PRO-80-700-145	CONNECTOR HSG, 12P, 22 AWG
PRO-80-700-146	CONNECTOR, HOUSING, 2P, 22AWG
PRO-80-700-150	DUST COVER 15P
PRO-80-700-151	DUST COVER, 12P
PRO-80-700-152	DUST COVER 8P
PRO-80-700-153	DUST COVER 5P
PRO-80-700-154	COVER, 2P-CONN, .100 CTR
PRO-80-700-157	HEADER 15-POS STR 100 CTR LKG
PRO-80-700-158	CONNECTOR HDR STR 12P .100CTR LK
PRO-80-700-159	CONNECTOR HDR STR 8P .100CTR LK
PRO-80-700-160	CONNECTOR HDR STR 5P
PRO-80-700-161	HEADER ASSY. 2P
PRO-80-700-162	CONNECTOR HOUSING 3P 22AWG .100CTR CE
PRO-80-700-163	COVER 3P CONNECTOR .100CTR
PRO-80-700-164	CONNECTOR HDR STR 3P .100CTR LK
PRO-80-700-167	CONNECTOR HDR STR 3P .156CTR LKG
PRO-80-700-169	CONNECTOR HSG 5P 22AWG .100 CTR
PRO-80-700-171	CONNECTOR, HOUSING, 16P, 22AWG
PRO-80-700-172	CONNECTOR HDR STR 6P
PRO-80-700-174	CONNECTOR HDR STR 16P
PRO-80-700-175	DUST COVER 6P
PRO-80-700-177	COVER, DUST, 16P, CE
PRO-80-700-180	HEADER ASSY. 8P
PRO-80-700-182	RECEPTACLE, BNC, PCB MTG, SLDR POSTS

PRO-80-700-186	COVER, 4P-CONNECTOR, .100CTR
PRO-80-700-187	CONNECTOR HDR STR 4P .100CTR LK
PRO-80-700-192	COVER, 10P-CONN, .156CTR
PRO-80-700-193	CONNECTOR HSG, 8P AWG
PRO-80-700-199	HEADER 16P
PRO-80-700-201	CONNECTOR HDR RTANG
PRO-80-700-202	CONNECTOR HDR RTANG 50P .062PCB
PRO-80-700-203	PLUG KEYING FLUSH NYLON
PRO-80-700-205	HSG 10P 28AWG .100CTR CL
PRO-80-700-206	HSG 15P 24AWG .100CTR CL END
PRO-80-700-214	CONNECTOR HSG CAP 2P
PRO-80-700-215	CONNECTOR, HSG, CAP, 3P
PRO-80-700-217	CONN HSG CAP 6P NAT NYL
PRO-80-700-218	CONN HSG CAP 9P NAT NYL
PRO-80-700-219	CONNECTOR HSG CAP 12-PIN
PRO-80-700-220	CONNECTOR HSG CAP 15 PIN
PRO-80-700-221	CONN HSG PLUG 2P NAT NYL
PRO-80-700-222	CONNECTOR HOUSING
PRO-80-700-225	CONNECTOR, HOUSING, PLUG, 9P, NAT, NYL
PRO-80-700-228	PIN MATE-N-LOK-CONNECTOR
PRO-80-700-229	SOCKET CONT CRIMP 24-18 AWG
PRO-80-700-230	SOCKET CONT CRIMP 20-14 AWG
PRO-80-700-233	TAP PCB .200CTR .622L BRS
PRO-80-700-235	CONNECTOR HDR STR 16P
PRO-80-700-236	CONNECTOR HDR STR 34P
PRO-80-700-250	PLUG KEYING FLUSH .100C NYLON
PRO-80-700-254	CONNECTOR HDR STR 26P .062PCB L-L
PRO-80-700-261	CONNECTOR SOCKET 16P STRAIN
PRO-80-700-263	CONNECTOR SOCKET 34P STRAIN
PRO-80-700-265	CONNECTOR SOCKET 40P STRAIN RLF
PRO-80-700-267	CONNECTOR SOCKET 50P STRAIN
PRO-80-700-277	CONN, RCPT HSG, DWR, 12P, METRIMATE
PRO-80-700-278	CONN, SKT HSG, 12P, METRIMATE
PRO-80-700-287	PLUG, KEYING, CARD-EDGE CONN
PRO-80-700-289	JACK, SOCKET KIT, SHORT, CONN
PRO-80-700-290	CONNECTOR, RECEPTACLE, D, 15P
PRO-80-700-291	CONN, HSG, 10P, 22AWG, .156CTR, CE
PRO-80-700-292	CONNECTOR HDR RTANG 8P
PRO-80-700-293	CONNECTOR RECEPTACLE D RTANG
PRO-80-700-294	CONNECTOR PLUG D 25P
PRO-80-700-295	CONNECTOR RECEPTACLE D 25P
PRO-80-700-297	KEY, PLZN, SOCKET, CONNECTOR
PRO-80-700-307	CONN HDR STR 10P .156CTR
PRO-80-700-357	HEADER ASSY, 6P, .100CTR, RTANG
PRO-80-700-358	CONNECTOR, HOUSING, 4P, 28AWG
PRO-80-700-359	HOUSING, 7P, 18AWG, .156 CTR, CE
PRO-80-700-367	HEADER ASSY, 3P, .100CTR, RTANG
PRO-80-700-390	CONN PLUG D 25P SNAP-IN CONT
PRO-80-700-407	SKT CONT MR-CONN 26-18AWG CRP
PRO-80-700-408	PIN CONT MR-CONN 26-18 AWG

PRO-80-700-410	CONN, PLUG, D, 15P, W/CRP, CA, CONT
PRO-80-700-411	HOOD, D-CONN, 15P, W/EXT, CA, CLAMP
PRO-80-700-412	LATCH, SPR, D-CONN
PRO-80-700-418	CONNECTOR HSG SKT MR 4P RED
PRO-80-700-419	CONNECTOR HSG PIN MR
PRO-80-700-445	PIN GND 20-14 AWG
PRO-80-700-523	CLAMP, CA, D-CONNECTOR, 15P, STR
PRO-80-700-524	CLAMP CA D-CONNECTOR 25P
PRO-80-700-575	CONN PLUG RT ANGLE W/DBLK
PRO-80-700-648	CONN HDR 16P DBL ROW
PRO-80-710-016	DIP SOCKET 16 PIN
PRO-80-750-002	TERMINAL STRIP, 3-LUG, CHAS, MTG
PRO-80-750-027	TERMINAL BLOCK, 8P, .197SP, PCB
PRO-80-750-030	STRIP, TERM, 8-POS, 15A, PHENOLIC
PRO-80-750-038	TERMINAL STRIP 6-POS
PRO-80-751-002	LUG, SLDR, #6, LKG, 45 DEG
PRO-80-753-001	LUG CRIMP #6 RING 22-16 AWG
PRO-80-753-002	LUG, CRP, 8RING, 22-16, INSUL
PRO-80-753-003	LUG CRIMP #10 RING RED
PRO-80-753-004	LUG CRP #6 SPADE 22-16 INSUL
PRO-80-753-010	SPLICE, BUTT, CRP, 22-16,INSUL
PRO-80-753-011	LUG CRIMP 16-14 INS. BLU
PRO-80-753-027	LUG, CRIMP, #6 RING, 24-18 AWG
PRO-80-753-028	LUG CRIMP #8 RING 22-16 AWG
PRO-80-753-031	TERMINAL, RING TONGUE, UNINSULATED
PRO-80-753-033	LUG CRIMP
PRO-80-753-042	LUG, CRP, 10-RING, 12-10 AWG, NON-INSULATED
PRO-80-753-044	LUG CRP 8 RING 22-16 SLTD
PRO-80-753-064	LUG CRIMP #6 RING 12-10AWG NON-INSU
PRO-80-780-001	SHUNT JUMPER TWO CIRCUIT 15m GOL
PRO-80-780-002	JUMPER ZERO OHM
PRO-80-810-051	WIRE TEFLON 14 AWG GRN/YEL
PRO-80-811-051	WIRE TEFLON E 16 AWG, GRN/YEL
PRO-80-812-001	WIRE TEFLON E 18 AWG, BLK
PRO-80-812-003	WIRE TEFLON E 18 AWG, RED
PRO-80-812-020	WIRE TEFLON E 18 AWG, BLK/BRN
PRO-80-812-024	WIRE TEFLON E 18 AWG, GRN/BRN
PRO-80-812-034	WIRE TEFLON E 18 AWG, BLK/RED
PRO-80-812-038	WIRE TEFLON E 18 AWG, BLK/ORN
PRO-80-812-040	WIRE TEFLON E 18 AWG, RED/ORN
PRO-80-812-042	WIRE TEFLON E 18 AWG, GRN/ORN
PRO-80-812-047	WIRE TEFLON E 18 AWG, BLK/YEL
PRO-80-812-049	WIRE TEFLON E 18 AWG, RED/YEL
PRO-80-812-056	WIRE TEFLON E 18 AWG, BLK/GRN
PRO-80-812-065	WIRE TEFLON E 18 AWG, BLK/BLU
PRO-80-812-067	WIRE TEFLON E 18 AWG RED/BLU
PRO-80-812-070	WIRE TEFLON E 18 AWG GRN/BLU
PRO-80-812-092	WIRE TEFLON E 18 AWG BLK/WHT
PRO-80-812-094	WIRE TEFLON E 18 AWG RED/WHT
PRO-80-814-001	WIRE TEFLON E 22 AWG BLK

PRO-80-814-002	WIRE TEFLON E 22 AWG (7 X 30) BRN
PRO-80-814-003	WIRE TEFLON E 22 AWG RED
PRO-80-814-004	WIRE TEFLON E 22 AWG (7 X 30) ORN
PRO-80-814-005	WIRE TEFLON E 22 AWG (7 X 30) YEL
PRO-80-814-006	WIRE TEFLON E 22 AWG (7 X 30) GRN
PRO-80-814-007	WIRE TEFLON E 22 AWG BLU
PRO-80-814-010	WIRE TEFLON E 22 AWG, WHITE
PRO-80-814-014	WIRE TEFLON E 22 AWG YEL/BLK
PRO-80-814-023	WIRE TEFLON E 22 AWG, YEL/BRN
PRO-80-814-024	WIRE TEFLON E 22 AWG GRN/BRN
PRO-80-814-028	WIRE TEFLON E 22 AWG, WHT/BRN
PRO-80-814-029	WIRE TEFLON E 22 AWG BLK/RED
PRO-80-814-031	WIRE TEFLON 22AWG ORG/RED
PRO-80-814-032	WIRE TEFLON E 22 AWG YELLOW/RED
PRO-80-814-037	WIRE TEFLON E 22 AWG WHITE/RED
PRO-80-814-040	WIRE TEFLON E 22 AWG, RED/ORN
PRO-80-814-041	WIRE TEFLON 22AWG YEL/ORG
PRO-80-814-042	WIRE TEFLON E 22 AWG, GRN/ORN
PRO-80-814-049	WIRE TEFLON E 22 AWG, RED/YELLOW
PRO-80-814-051	WIRE TEFLON E 22 AWG. GREEN/YELLOW
PRO-80-814-055	WIRE TEFLON 22 AWG WHT/YEL
PRO-80-814-056	WIRE TEFLON E 22 AWG BLACK/GREEN
PRO-80-814-057	WIRE TEFLON E 22 AWG, BRN/GRN
PRO-80-814-060	WIRE TEFLON E 22 AWG YELLOW/GREEN
PRO-80-814-063	WIRE TEFLON 22AWG GRY/GRN
PRO-80-814-064	WIRE TEFLON E 22 AWG WHITE/GREEN
PRO-80-814-066	WIRE TEFLON 22AWG BRN/BLU
PRO-80-814-067	WIRE TEFLON E 22 AWG, RED/ BLUE
PRO-80-814-068	WIRE TEFLON E 22 AWG ORANGE/BLU
PRO-80-814-069	WIRE TEFLON 22 AWG YEL/BLU
PRO-80-814-070	WIRE TEFLON E 22 AWG, GRN/BLU
PRO-80-814-092	WIRE TEFLON E 22 AWG, BLK/WHT
PRO-80-814-094	WIRE TEFLON E 22 AWG. RED/WHT
PRO-80-814-096	WIRE TEFLON E 22 AWG, YEL/WHT
PRO-80-821-001	WIRE, BUS, 14AWG, TINNED COPPER
PRO-80-821-003	WIRE, BUS, 10, CPR, 18 AWG
PRO-80-821-005	WIRE, BUS, 22AWG, TINNED COPPER
PRO-80-870-001	CABLE, COAX, 20AWG, STRD, RG58C/U
PRO-80-870-004	CABLE, COAX, RG/8U, 13 AWG, STRD
PRO-80-870-009	CABLE RG 214/U
PRO-80-871-011	CABLE SHLD MYLAR
PRO-80-871-028	CABLE FL 50C 28 AWG STRD PVC
PRO-80-871-037	CABLE FL 16C 28 AWG STRD PVC
PRO-80-871-038	CABLE FL 34C 28 AWG STRD PVC
PRO-80-871-039	CABLE FL 40C 28 AWG STRD PVC
PRO-80-871-040	CABLE, FL, 16C, 28AWG, STRD, PVC
PRO-80-871-041	CABLE FL 25C 28 AWG STRD PVC
PRO-80-871-052	CABLE, 3PR, 22AWG, STRD, SHLD, PVC
PRO-80-871-081	CABLE 3C 22AWG STRD SHLD PVC
PRO-80-872-002	CABLE BRAIDED

PRO-80-872-003	CABLE BRAIDED 7/32 ROUND
PRO-80-872-005	CABLE, BRAIDED, 13/32 ROUND
PRO-80-890-003	TUBING #18 TFL CLEAR
PRO-80-890-012	POLYURETHANE TUBING GREEN
PRO-80-890-019	POLYURETHANE TUBING CLEAR
PRO-80-890-025	POLYURETHANE TUBING BLUE
PRO-80-890-029	POLYURETHANE TUBING BLUE
PRO-80-890-030	POLYURETHANE TUBING YELLOW
PRO-80-890-036	POLYURETHANE TUBING BLACK
PRO-80-890-037	POLYURETHANE TUBING RED
PRO-80-890-038	POLYURETHANE TUBING GREY
PRO-80-890-039	POLYURETHANE TUBING CLEAR
PRO-80-890-042	POLYURETHANE TUBING GREEN
PRO-80-890-043	POLYURETHANE TUBING ORANGE
PRO-80-890-045	POLYURETHANE TUBING BLACK
PRO-80-890-046	POLYURETHANE TUBING YELLOW
PRO-80-890-048	TUBING, 3/8OD, .075WALL, BLK, NYL
PRO-80-890-049	TUBING, 3/8OD, .075WALL, NAT, NYL
PRO-80-890-050	TUBING INNER BRAIDED
PRO-80-890-051	POLYURETHANE TUBING GREY
PRO-80-890-055	POLYURETHANE TUBING GREEN
PRO-80700-128	COVER 8-PIN MASS TERM
PRO-81-007-077	KIT INT PNEU VALVE
PRO-81-007-106	TURBINE PUMP & MOTOR
PRO-81-007-129	BELLOWS KIT (BN SERIES)
PRO-81-007-155	SWITCH, FLOW, SENSOR .25 GAL/MIN, SPST, NO
PRO-81-101-007	MOTOR 12VDC
PRO-81-105-203	TRIAC ISOL STUD 120V 60HZ-GCA
PRO-81-105-209	HEATER 120V 60HZ - GCA
PRO-81-105-215	MOTOR 120V 60HZ
PRO-81-105-223	SENSOR TEMP LED-GCA
PRO-81-105-232	BYPASS VALVE EXTERNAL
PRO-81-105-234	GAUGE PRESS 0-100 PSIG - GCA
PRO-81-105-235	SNUBBER PRESS - GCA
PRO-81-105-236	PUMP 200 PSIG
PRO-81-105-236B	PUMP 200 PSIG BRASS
PRO-83-083-001	BRKT MODIFIED MNGR
PRO-83-084-001	SPRING, GROUND, SHUTTLE
PRO-83-096-002	VAC VALVE VCR FTG(80-198-045)
PRO-83-118-003	DC SUPPLY MODIFICATION
PRO-83-118-005	DC POWER SUPPLY
PRO-83-124-001	MANIFOLD STG-MTG 4V
PRO-83-160-001	CONN BODY
PRO-83-166-004	VIDEO DISPLAY DEC 420 W/KEYBOARD
PRO-83-237-001	SCREW SCH 10-32 X 1.12L SST
PRO-84-007-001	BEARING
PRO-93-032-011	COAXIAL CABLE,90X
PRO-93-064-001	CABLE, GAS CONT TEMP
PRO-93-066-003	RF PCB LINK CABLE
PRO-93-067-001	FRONT PANEL MAIN LOGIC CABLE

PRO-93-087-001	ELEVATOR SENSOR INTERCONNECT CABLE
PRO-93-117-003	CABLE RF 10 FEET
PRO-93-117-004	10FT RF CABLE N-TYPE
PRO-93-117-006	CABLE COAX
PRO-93-123-006	CABLE GAS DELIVERY
PRO-93-137-001	CABLE MTCH NTWK 903
PRO-93-160-002	TRANSFORMER CABLE MTCH NTWK
PRO-93-217-001	DOUBLE SENSOR CABLE
PRO-93-229-005	RFG CABLE
PRO-93-299-005	RFG CABLE
PRO-93-593-001	ATM SENSOR EXTENSION CABLE
PRO-94-130-002	DC OUTPUT HARNESS DC SUPPLY
PRO-94-136-002	SHUTTLE, POSITIONING HARNESS
PRO-94-143-006	AC INPUT HARNESS DC SUPPLY
PRO-94-144-004	HARNESS, PRESSURE TRANSDUCER
PRO-94-228-004	HARNESS, WAFER, SENSOR, CAP
PRO-94-228-006	CASSETTE HARNESS
PRO-94-235-001	HARNESS, PHASE, MAG, DET
PRO-94-264-001	HARNESS. SNSR, VI, MTCH NTWK
PRO-94-289-001	HARNESS, SNSR, MTCH NTWK
PRO-94-400-001	ALL SENSORS HARNESS
PRO-94-484-001	RF CONTROL CABLE
PRO-98-089-001	SENSOR BD (EGS-1)
PRO-98-125-008	FAB PCB FPI-8 FR PNL INTFC
PRO-98-126-006	FAB PCB IGC-6 INTFC GAS T903EJ
PRO-98-142-001	DC POWER DISTRIBUTION (DIS-1)
PRO-98-169-001	PHC-1 PHOTOCCELL PCB
PRO-98-172-003	INTERFACE MATCHING NTWK PCB
PRO-98-173-008	BOARD RF GEN INTFC
PRO-98-176-001	FAB PCB SNSR 15
PRO-98-190-002	PHASE/MAG FLTR PCB (PMF-2)
PRO-98-197-001	SLOTTED SENSOR BD (SSL-1)
PRO-98-203-001	MTCH NTWK PERS PCB (MNP-1)
PRO-98-209-002	AC/DC PWR MONITOR (ADM-2)
PRO-98-223-002	BOARD DUAL SENSOR
PRO-98-224-001	CNTR SNSR BD (CSN-1)
PRO-98-228-001	FLS-1 FLAG SENSOR BOARD
PRO-98-246-003	ELEV INTCON PCB (EIA-3)
PRO-98-247-003	SPATULA INTERFACE PCB
PRO-98-285-001	IRE-1 INFRARED EMITTER BD
PRO-98-286-001	PXR-1 PHOTOTRANSISTOR BD
PRO-98-287-003	SHUTTLE INTERFACE PCB (SST-3)
PRO-99-125-008	FRONT PANEL INTERFACE PCB
PRO-99-126-006	GAS INTERFACE BOARD (ICG-6)
PRO-99-142-001	DC POWER DISTRIBUTION PCB
PRO-99-169-001	PCB PHOTOCCELL
PRO-99-172-003	MATCHING NTWRK INTERFACE (IMN-3)
PRO-99-173-008	RF GENERATOR INTFC BD (RFG-8)
PRO-99-176-001	SENSOR 15 (SNS-1)
PRO-99-190-002	PHASE MAG FILTER BOARD (PMF-2)

PRO-99-196-002	<b>NEW</b>	AUTOTUNE PCB, 13.56M (ATI-2)
PRO-99-197-002		SLOTTED SENSOR (SSL-1)
PRO-99-203-001		MATCHING NETWORK PERSONALITY BOARD (MNP-1)
PRO-99-209-001		AC/DC PWR MON PCB (ADM-1)
PRO-99-209-002		AC/DC POWER MONITOR (ADM-2)
PRO-99-223-002		DUAL SENSOR (DSN-2)
PRO-99-224-001		CENTER SENSOR, (CSN-1)
PRO-99-228-001		FLAG SENSOR BOARD (FLS-1)
PRO-99-246-003		ELEVATOR INTERCONNECT (EIA-3)
PRO-99-247-003		SPATULA INTERFACE (SPI-3)
PRO-99-287-003		SHUTTLE INTERFACE PCB (SST-3)
PRO-CE1005-00202		DC POWER SUPPLY
PRO-CE1005-00302		DC POWER SUPPLY (EURO)
PRO-CW1078-50401		SPATULA DRIVE, 5
PRO-CW1078-60401		SPATULA DRIVE, 6
PRO-CW1105-00202		CARRIAGE ASSY., 9XXE